

Approvals

GLOBAL CERTIFICATION



Functional Safety Certified

Meets the requirements of IEC 61508-2:2010 for use in safety related systems.

Systematic capability: SC 2;

Random Capability: Type A element

SIL1, 2 capable with HFT 0 (1001); Route 2_H and 2_S

SIL Capability (Low Demand Mode) = SIL2 ; SIL Capability (High demand mode) = SIL1

Certificate No. CSA FSP 22001

Note: the associated full package of Safety Documentation must be listed on the order acknowledgement.

MARINE

Lloyd's Register

Certificate no. 88/00224 (S01)

Certificate no. 88/00225 (S36, S190, S4**)

LR Test Specification No. 1

ENV1, ENV2

Bureau Veritas

Certificate no. 04795/F1 BV (S01)

BV Rules for the classification of steel ships

American Bureau of Shipping

Certificate no. 19-GD1906187-1

IACS UR E10

DNV

Certificate no. TAA00002GZ (S01)

Certificate no. TAA00002H0 (S36, S190, S4**)

DNV GL rules for classification –Ships, offshore units, and high speed and light craft

Location classes: Temperature – A; Humidity – B; Vibration – B (Switch D, P) – A (switch D6, P6, H6);

Enclosure – C (S36, S190, S4**) – B (S01)

RINA

Certificate no. ELE270819CS001 (S01)

Rules for the classification of ships

NORTH AMERICA

Canadian Standards Association

C22.2 NO 14

CSA Enc 4



EUROPEAN DIRECTIVES

Low voltage Directive (LVD) 2014/35/EU.

Compliant to LVD

Pressure Equipment Directive (PED) 2014/68/EU:

This product is outside the scope of the PED directive



ATEX Directive 2014/34/EU

Hermetically sealed switch insert B6

Ex nC IIC T6...T2 Gc (-60°C ≤ T_{amb} ≤ +60°C)

Approvals

UK REGULATION



Electrical Equipment (Safety) Regulations 2016 .

Conform to UK SI 2016 No 1101 as amended

Pressure Equipment (Safety) Regulations 2016 (UK SI 2016 No 1105 as amended) :

This product is outside the scope of the Regulation



Equipment and protective system for use in Potentially Explosive Atmospheres Regulation 2016

Hermetically sealed switch insert B6

Ex nC IIC T6...T1 Gc (-20°C ≤ T_{amb} ≤ +60°C)

Ordering Accessories

Table 18. Ordering Information for Accessories

Accessories	Note: See page 9 for dimensions of Mobrey flanges
TD 110/A	316 stainless steel test device for Mobrey 'A' flanged switches, sandwich (see below) *
TD 111/A	Carbon steel test device for Mobrey 'A' flanged switches, weld on (see below) *
71020/107	316 stainless steel welding pad for Mobrey 'A' flanged switches (see page 11)
J184	Carbon steel welding pad for Mobrey 'A' flanged switches (see page 11)
J786	Carbon steel welding nozzle for Mobrey 'A' flanged switches (see page 11)
71030/900	316 stainless steel backing flange for Mobrey 'A' flanged switches (see page 11)
J863	Carbon steel backing flange for Mobrey 'A' flanged switches (see page 11)

Testing Device

Figure 3. Test Devices for Mobrey 'A' Flanged Switches

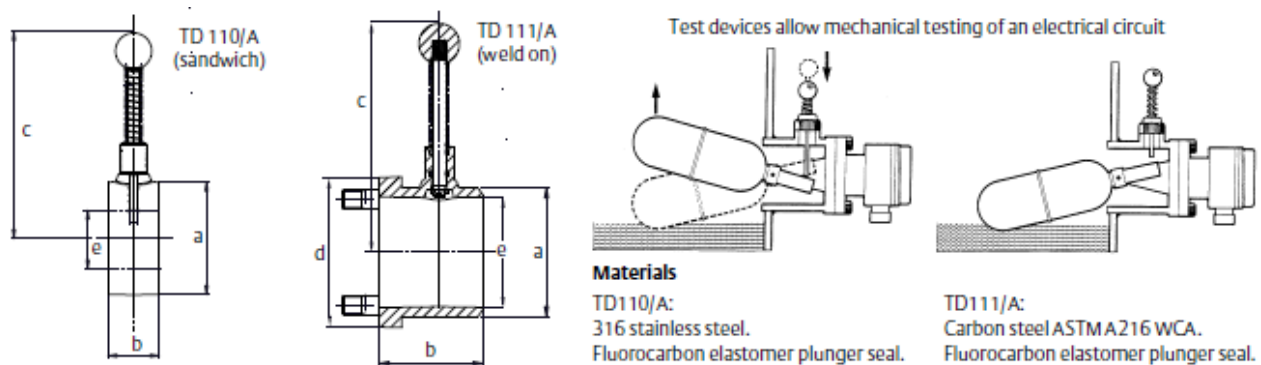


Table 19. Test Device Specifications and Dimensions

Type	Vessel flange	Maximum pressure ⁽¹⁾	Maximum T process	Øa in. (mm)	b in. (mm)	c in. (mm)	d in. (mm)	Øe in. (mm)
TD 110/A	Mobrey 'A'	261psi (18 bar)	410°F (210°C)	3.02 (77)	1.38 (35)	5.59 (142)	N/A	2.64 (67)
TD 111/A	Weld on	261 psi (18 bar)	410°F (210°C)	3.11 (79)	2.52 (64)	5.59 (142)	3.62 (92) ⁽²⁾	2.64 (67)

- 182 psi (12.6 bar) at maximum temperature of 410 °F (210 °C).
- See Mobrey 'A' flange dimension 3.62 x 3.62 in. (92 x 92 mm) on page 9.

Float chambers

Float chambers are used to facilitate the external mounting of the float switch onto a tank or pressure vessel, particularly where space inside the vessel is restricted or where the control must be isolated for routine maintenance whilst the plant is in operation. A wide range of cast or fabricated chambers is available. Exotic materials are also available. Process connections may be specified as top-and-bottom or side-and-side, and can be flanged, screwed or butt welded in a choice of sizes to suit most plant installations. Please contact Delta Mobrey for further information.



ISO9001

In the interest of development and improvement Delta Mobrey Ltd, reserves the right to amend, without notice, details contained in this publication. No legal liability will be accepted by Delta Mobrey Ltd for any errors, omissions or amendments.

Delta Mobrey Limited

Hudson House, Albany Park Camberley Surrey, GU16 7PL, UK.

T+44 (0)1252 729140 F+44 (0)1252 729168 E sales@delta-mobrey.com W www.delta-mobrey.com



FM00720

Page 18 of 18