

Technical Datasheet



LEVEL GAUGE

Welded type

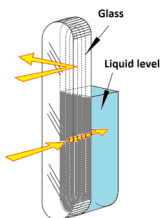
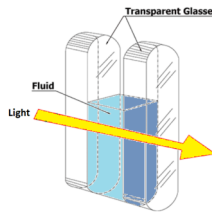
Models: WLG

Key Features

- Easy and compact.
- Suitable for flat or angled surfaces.
- Easy and cost effective construction.
- A borosilicate crystal type.
- Suitable for saturated steam, hot water, aggressive fluids.

Series Overview

The welded type gauge, could be either a Reflex type or a Transparent type. The main difference is the type of crystal used. In the transparent type, the fluid is contained between two glasses. Both crystals have a smooth surface. When the light passes through the back, the transparent crystal illuminates the chamber between two glasses, the level is clearly visible.



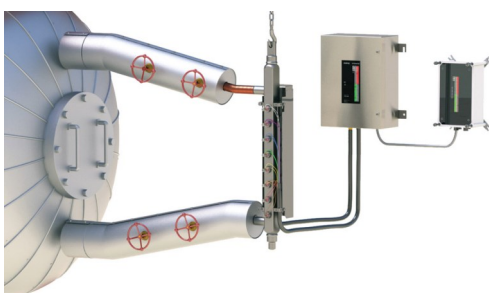
In the reflex type, fluid is contained between two crystals with both smooth surfaces. The level is very easy to observe because the fluid in its liquid phase absorbs the light and making it appear dark. The upper part with air or gas, reflects the light and has a clear colour.

To make the level gauge good for aggressive fluids or steam, a protective mica sheet can be installed between the fluid and the glass.

Other products

Other products we can offer include:

- Conductive type, Hydrastep level control
- Transparent type level gauge



Product applications

Our Level Gauges are suitable for a wide range of applications in:

- Oil & Gas
- Chemical
- Petrochemical
- Refining
- Power

The choice of options ensures that the Transparent type level gauge series is suitable for use in:

- Boilers
- High pressure and temperature conditions
- Chemical aggressive media

How can we help you?

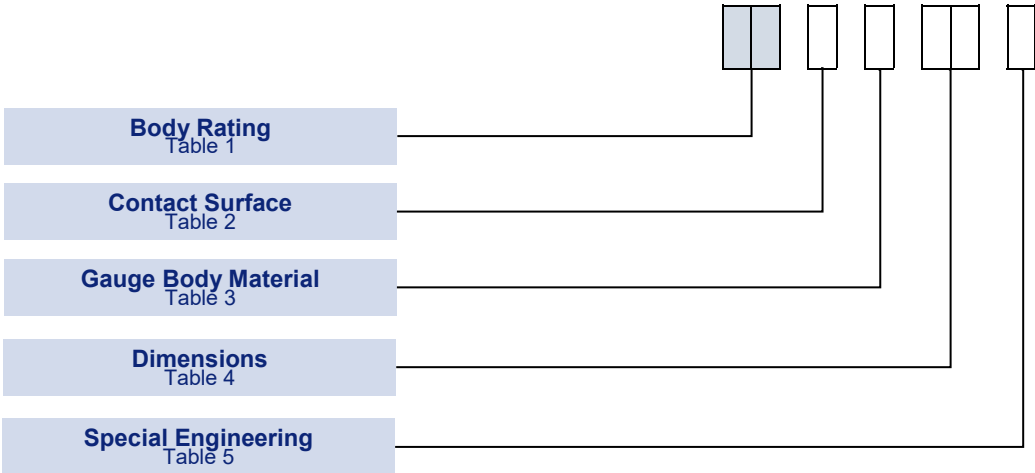
Delta Mobrey offers fast, efficient and knowledgeable support when and where you need it. Please visit our website at www.delta-mobrey.com to find your local support centre or call us on:

+44 (0) 1252 729140

Welded Transparent Type Level Gauge
Models: WLG

How to order

Gauges can be configured by selecting codes representing the desired features from the tables that follow. The chart below, describes how the model code is built up. For assistance in configuring a switch that best suits your needs, please contact your local sales office.



NOTE: The non-standard option code is shown by "X" in the part number. Should you require any clarification on this codes please contact your local sales office.

TO ENQUIRE ABOUT A QUOTATION FOR A LEVEL GAUGE, PLEASE ALSO SPECIFY:

- TYPE OF FLUID
- OPERATING CONDITION (PRESSURE AND TEMPERATURE)
- REQUIRED RADIUS FOR ANGLED CONTACT SURFACE
- MATERIAL OF CONSTRUCTION

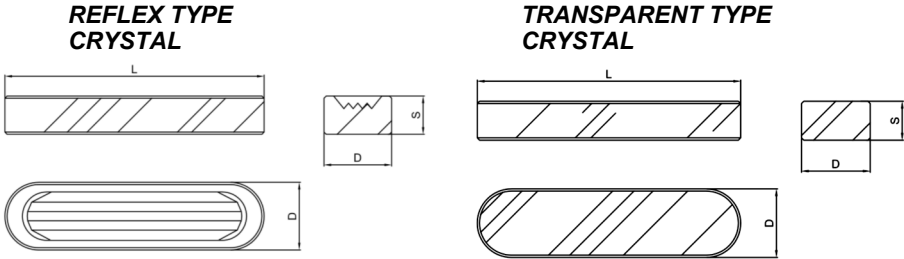
Welded Transparent Type Level Gauge
Models: WLG

Technical Specification

Crystal
Resistance to pressure: 200 bar (limited to body rating)
Resistance to temperature: 300 °C (limited to body rating)
Glass dimension: 30mm
Reference Standards: DIN 7081 ; TGL 7210 ; BS 3463

Expansion coefficient: acc. to DIN 52328
Chilling strength: acc. to DIN ISO 718
Hydrolytic resistance: acc. to DIN ISO 719
Hydrolytic acid resistance: acc. to ISO 1776
Alkali resistance: acc. to DIN ISO 695

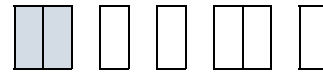
Body Material of Gauge:
See table on drawing page:
Dimension of the gauge:
See drawing page
Body Material of upper/lower cock



dim.	PN40			PN64		
	L	D	S	L	D	S
11	115	30	17	115	34	17
12	140	30	17	140	34	17
13	165	30	17	165	34	17
14	190	30	17	190	34	17
15	220	30	17	220	34	17
16	250	30	17	250	34	17
17	280	30	17	280	34	17
18	320	30	17	320	34	17
19	340	30	17	340	34	17

Body Rating

TABLE 1



Description	Code
Welded Transparent type Rating PN64	LT
Welded Transparent type Rating PN100	MT
Welded Transparent type Rating PN120	NT
Welded Reflex type Rating PN64	LR
Welded Reflex type Rating PN100	MR
Welded Reflex type Rating PN120	NR

Contact Surface

TABLE 2



Description	Code
Flat surface For direct mount on flat surface	X
Angled surface For direct mount on angled surface	Y

NOTE:

Consider the construction
See table on drawings.

Gauge Body Material

TABLE 3



Description	Code
Carbon steel Body material in Carbon Steel.	A
Stainless Steel Body material in Stainless Steel.	B
Non standard Material	X

NOTE:

Consider the construction
See table on drawings.

Dimensions

TABLE 4



Description	Code
Dimension code as shown in drawings (in mm)	XX

NOTE:

Refer to the drawings for all
dimensions and visible length

Special Engineering

TABLE 5



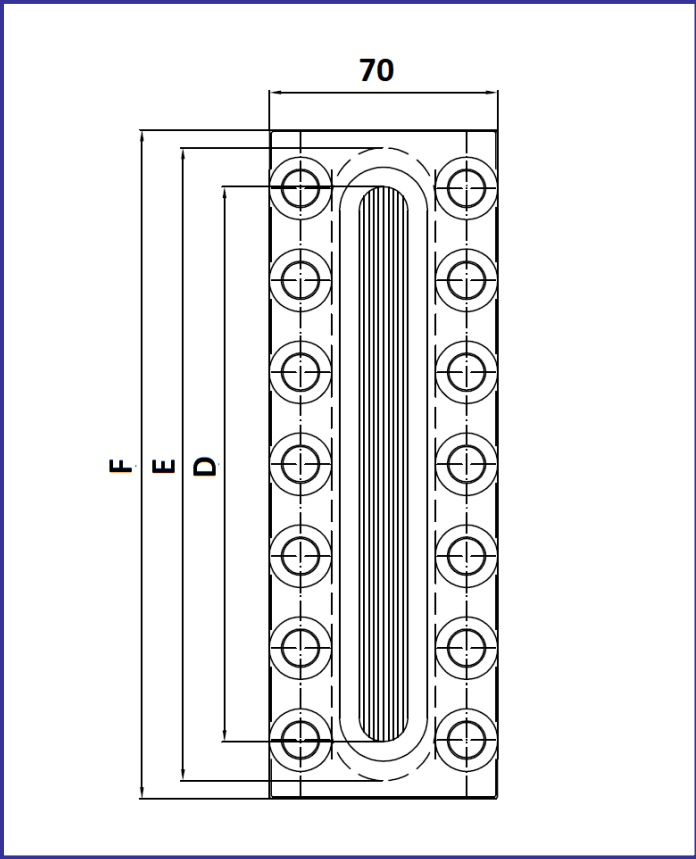
Description	Code
Please consult our sales engineering for special requirements	TBA

NOTE:

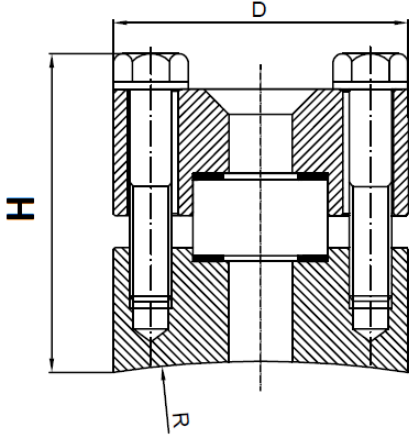
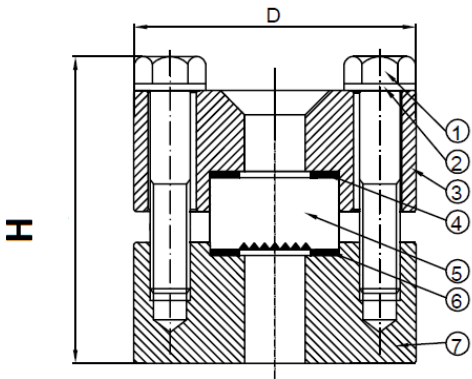
Last digits of model code only used
when special engineering is required.

Dimensions

All dimensions mm (inches)



Dim. code	F +/-1	D +2 / 0	E	H
11	128	91	115	75
12	153	116	140	75
13	178	141	165	75
14	203	166	190	75
15	233	196	220	75
16	263	226	250	75
17	293	256	280	75
18	333	296	320	75
19	353	313	340	75
24	406	367	190	75
25	466	427	220	75
26	526	489	250	75
27	586	549	280	75
28	666	628	320	75
29	706	668	340	75
36	789	751	250	75
37	879	841	280	75
38	999	961	320	75



		A	B
1	Bolts	Zincd Carbon Steel	Zincd Carbon Steel
2	Ring	Zincd Steel	Zincd Steel
3	Cover	Zincd Carbon Steel	Zincd Carbon Steel
4	Upper gasket	Asbestos free	Asbestos free
5	Glass	Borosilicate	Borosilicate
6	Lower gasket	Graphite	Graphite
7	Body	Carbon Steel	Stainless Steel

Welded Transparent Type Level Gauge
Models: WLG

In the interest of development and improvement Delta Mobrey Ltd, reserves the right to amend, without notice, details contained in this publication. No legal liability will be accepted by Delta Mobrey Ltd for any errors, omissions or amendments.

Delta Mobrey Limited
Hudson House, Albany Park Camberley Surrey, GU16 7PL, UK.
T+44 (0)1252 729140 F+44 (0)1252 729168 E sales@delta-mobrey.com W www.delta-mobrey.com



FM00720