

Technical **Datasheet**



Control Unit

Universal HART control unit

Model: DMCU900 series

Key **Features**

- Controller for use with DMSP400/500 and DMSP900 series level transmitters
- Supports any 4-20mA or HART transmitter
- Display measured values, control pumps, actuators and alarms
- Configure transmitters, access diagnostics
- Single or dual transmitter inputs
- 4-20mA and four relay outputs
- Data logging with RS485 comms
- DC or AC power supply
- Galvanically isolated supplies to power intrinsically safe transmitters

Series **Overview**

The DMCU900 Series Universal Controller provides an interface between HART devices, operators or control systems.

Designed for use with Delta Mobrey ultrasonic transmitters, but will also work with any pressure, temperature or level HART transmitter.

Large LCD display with push button menu driven programming. Intrinsically safe power supply for transmitters Data logging, with download facility.

Other products

Other HART capable products we can offer:

- Ultrasonic level transmitters
- Pressure transmitters



Product **applications**

- When used with Delta Mobrey ultrasonic transmitters;
- Display of tank level and volume, of linear or non-linear tanks
- Pump control for tanks, well wells, and sumps
- High or low alarms in storage tanks
- Open channel flow measurements of many weir and flume designs
- Differential measurement for blocked filter detection
- HART master for any HART device, to provide power, to configure, to display values, or to operate relays

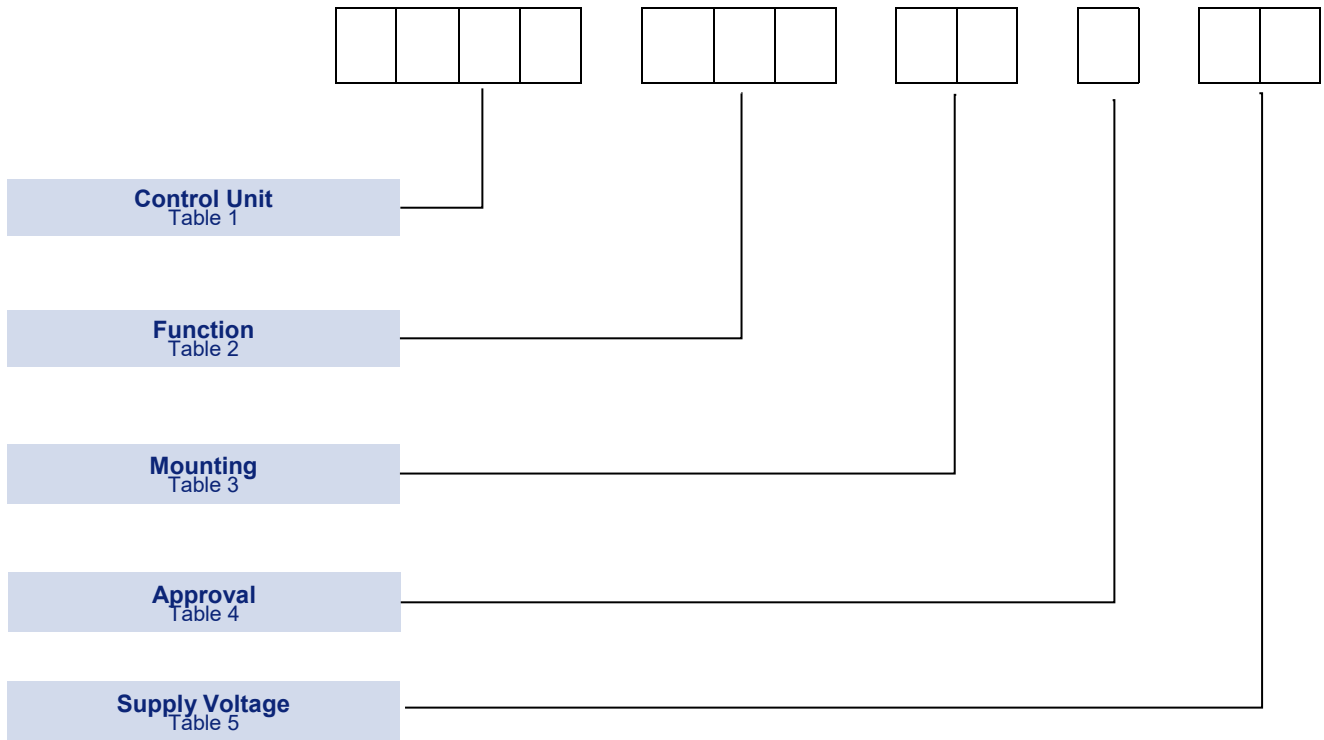
How can we **help you?**

Delta Mobrey offers fast, efficient and knowledgeable support when and where you need it. Please visit our web site at www.delta-mobrey.com to find your local support centre or call us on:

+44 (0)1252 729140

How to order

DMCU900 controllers can be configured by selecting codes representing the desired features from the tables that follow. The chart below, describes how the model code is built up. For assistance in configuring a switch that best suits your needs, please contact your local sales office.



Models

TABLE 1

□	□	□	□	□	□	□	□	□	□
---	---	---	---	---	---	---	---	---	---

Description	Code
Control unit. HART transmitter input(s)	DMCU

Function

TABLE 2

□	□	□	□	□	□	□	□	□	□
---	---	---	---	---	---	---	---	---	---

- Standard unit
- Differential measurement
- Ideal for Open Channel Flow

Description	Code
Single transmitter input, 4-20mA and 4 relay outputs	901
Dual transmitter input, 4-20mA and 4 relay outputs	902
Single transmitter input, logging and data download, 2 relay outputs	90F

Mounting

TABLE 3

□	□	□	□	□	□	□	□	□	□
---	---	---	---	---	---	---	---	---	---

Description	Code
Wall mount	WX
Panel mount	PX

Approval

TABLE 4

□	□	□	□	□	□	□	□	□	□
---	---	---	---	---	---	---	---	---	---

Description	Code
Safe area use only	-N
ATEX hazardous area approval (available soon) Ex II 91) G [Ex ia Ga] IIB, Ex II (1) D [Ex ia Da] IIIC	-A

Supply

TABLE 5

□	□	□	□	□	□	□	□	□	□
---	---	---	---	---	---	---	---	---	---

Description	Code
85 to 255V AC 50-60Hz 12VA	no code
11.4-40 V DC or 11.4-28 V AC 50-60Hz 12VA or 11W	24

Technical Specification

DMCU900 series: all models		DMCU901**-*	
Mounting	Wall mount (Panel mount on request)	Transmitter input	One transmitter input 4-20mA & HART
Display	128 x 64 LED dot matrix	Output Relays	4-20mA 4 SPDT 250V AC, 5A
Housing material	Polycarbonate		
Ambient Temperature	-20°C to +50°C		
Ingress protection	IP65		
DMCU90*WX-A (mains supply)		DMCU902**-*	
Supply voltage	85 to 255V AC 50-60Hz	Transmitter inputs	Two transmitters (differential) 4-20mA & HART
Power requirements	12VA	Output Relays	4-20mA 4 SPDT 250V AC, 5A
DMCU90*WX-A24 (low voltage supply)		DMCU90F**-*	
Supply voltage	11.4-40 V DC or 11.4-28 V AC 50-60Hz	Transmitter input	One transmitter 4-20mA & HART
Power requirements	12VA or 11W	Output Relays	4-20mA
		Additional function	2 SPDT 250V AC, 5A
		Additional output	Data logging RS485

Approvals

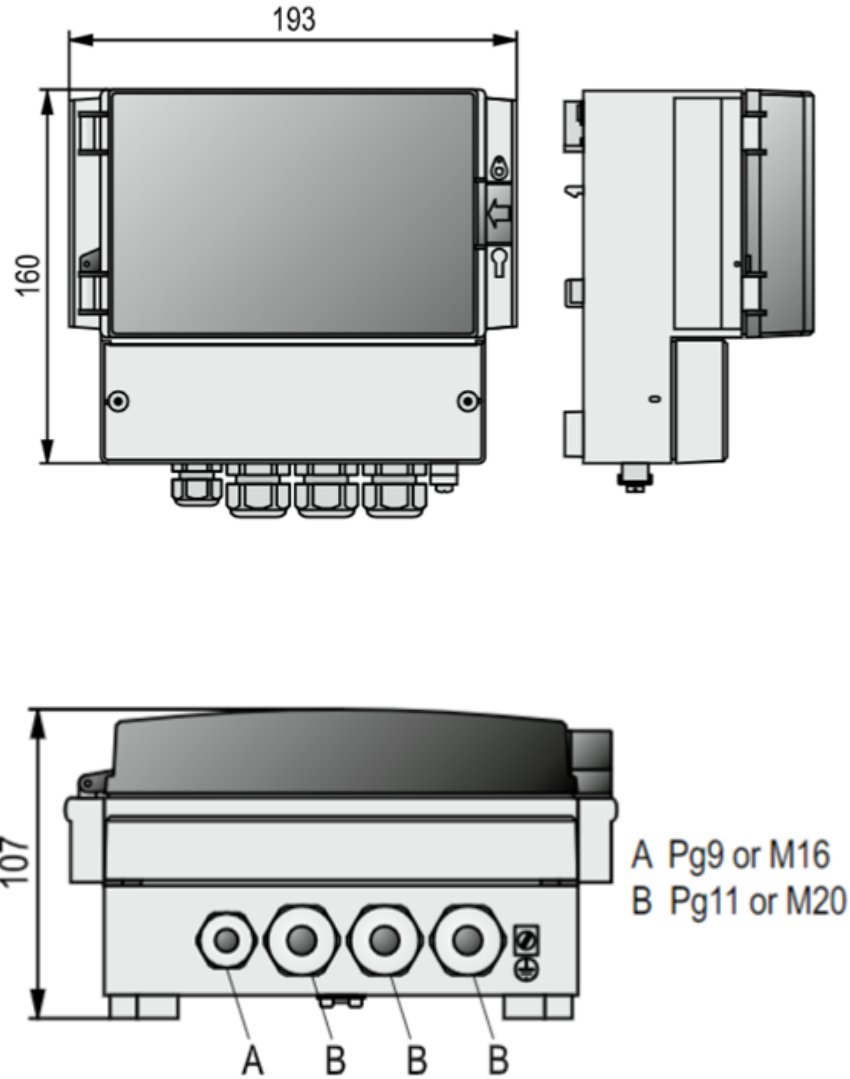
EUROPEAN DIRECTIVES



Low voltage Directive (LVD) 2014/35/EU.
Compliant to LVD

Dimensions

DMCU*** ** -A	
ATEX Ex marking	Ex II 91) G [Ex ia Ga] IIB, Ex II (1) D [Ex ia Da] IIIC
Intrinsically safe data	Uo=30V; Io=140mA; Po=1W; Lo=4mH; Co=200nF; Um=253V



Liquid Level & Flow Measurement
 Model: DMCU900

In the interest of development and improvement Delta Mobrey Ltd, reserves the right to amend, without notice, details contained in this publication. No legal liability will be accepted by Delta Mobrey Ltd for any errors, omissions or amendments.

Delta Mobrey Limited
 Riverside Business Park, Dogflud Way, Farnham, Surrey GU9 7SS, UK.
 T+44 (0)1252 729140 F+44 (0)1252 729168 E sales@delta-mobrey.com W www.delta-mobrey.com



FM00720