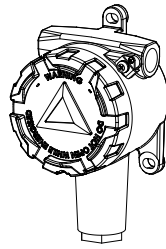


Installation, Operation & Maintenance Instructions



Sentry Series

Models P01, P02, P03 (Pressure Switches)
Models D01, D02, D03 (Differential Pressure Switches)

Models T01, T02 (Temperature Switches)

General

The unit is manufactured, checked and supplied in accordance with our published specification, and when installed and used in normal or prescribed applications, with the lid in place and within the parameters set for mechanical and electrical performance, will not cause danger or hazard to life or limb.



THE USERS ATTENTION IS DRAWN TO THE FACT THAT, WHEN THE UNIT IS 'LIVE' WITH RESPECT TO ELECTRICAL OR PRESSURE SUPPLIES, A HAZARD MAY EXIST IF THE UNIT IS OPENED OR DISMANTLED.



UNITS MUST BE SELECTED AND INSTALLED BY SUITABLY TRAINED AND QUALIFIED PERSONNEL IN ACCORDANCE WITH APPROPRIATE CODES OF PRACTICE SO THAT THE POSSIBILITY OF FAILURE RESULTING IN INJURY OR DAMAGE CAUSED BY MISUSE OR MISAPPLICATION IS AVOIDED.

Operating Principles

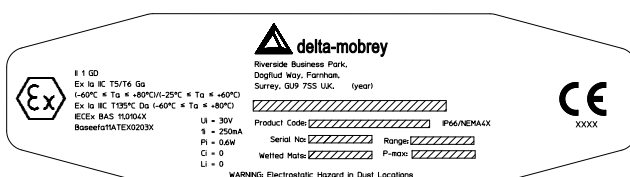
Pressure Switch models P0* and Differential Pressure Switch models D0* are diaphragm operated switches.

These diaphragms generate a force proportional to the applied pressure and are balanced by a user adjustable control spring. When the force exceeds that created by the control spring, the diaphragm moves causing a push rod to actuate a snap-acting micro-switch.

Temperature models T01 & T02 work in the same way as the Pressure models with the exception that the applied pressure comes from the expansion of a vapour enclosed in either a rigid stem or semi-rigid thermal system.

CERTIFICATIONS

Flameproof models carry the following label markings:

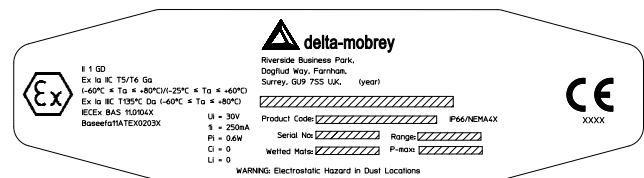


This equipment may be used in zones 1 & 2 with gases groups IIA, IIB & IIC and dusts groups IIIA, IIIB & IIIC for temperatures classes T1, T2, T3, T4, T5 & T6.

Intrinsic Safety Model

Input limitations for intrinsic safety:

$U_i = 30V$, $I_i = 300mA$, $P_i = 0.6W$



This equipment may be used in zones 0, 1 & 2 with gases groups IIA, IIB & IIC and dusts groups IIIA, IIIB & IIIC for temperatures classes T1, T2, T3, T4, T5 & T6.

Special Conditions of Use

Intrinsically safe models

1. The Sentry Pressure, Differential Pressure and Temperature Switches must not be installed in a location where moving dust flow can generate an electrostatic charge on the equipment.

2. The Sentry range of pressure switches may be provided with an aluminium alloy or stainless steel enclosure. For models that have an aluminium enclosure, identified in the model number by 5xxxxxxxxxxxxxxxxx where 'X' describes other parameters of the equipment, the enclosure must be installed in such a manner that it is protected from sources of impact and friction when installed in its end-use application.

INSTALLATION

Mounting (All models)

The instruments are designed to be mounted vertically with the process connection underneath. However, mounting up to 45° from the vertical in any plane is acceptable, although a small calibration shift may occur.

They can be mounted either direct to process, or to a wall or panel using the mounting holes provided. Select the mounting point so as to avoid excessive shock, vibration or temperature fluctuation. Instruments should be mounted to avoid excessive heat transfer from the process lines or adjacent plant. To avoid undue stresses being imparted to the instrument when wall/panel mounted, it is recommended that a short length of flexible line be installed between the instrument and process line. If sudden changes of pressure (pulsations) are likely then we recommend that snubbers are fitted between the process line and instrument. Use a spanner to support the process connection when fitting the instrument.



CHECK THE CONNECTION THREAD SIZE AND SPECIFICATION ON THE UNIT TO AVOID MIS-MATCHING WITH THE PROCESS CONNECTION ADAPTOR. SEE DIGIT 11 OF PRODUCT CODE.

Mounting (T01 - Rigid Stem)

Assemble the unit via a thermowell, using the spanner facility provided and ensuring that:

- a) the sensing bulb is fully immersed in the process temperature
- b) the sensing bulb does not bottom out in the thermowell which could cause damage

Mounting (T02 - Capillary system)

Mount the sensing bulb so that the capillary end is above the bulb and the bulb is level with, or no more than 250mm below the base of the instrument. The stem is fitted with a sliding compression gland to accommodate different thermowells.

Wiring



DISCONNECT ALL SUPPLY CIRCUITS BEFORE WIRING



WIRE IN ACCORDANCE WITH LOCAL AND NATIONAL CODES. USE CABLES NO LARGER THAN 2.5 MM² (14 AWG)



DO NOT EXCEED ELECTRICAL RATINGS STATED IN LITERATURE AND ON NAMEPLATES.

1 or 2 electrical entries are provided, into which cable glands can be assembled. The thread type and size is marked on the enclosure, just below the connection. Select a suitable cable gland which will maintain the IP rating of the instrument.



USE ONLY SUITABLY ZONE 1 CERTIFIED CABLE GLANDS OR STOPPING PLUGS. CABLE TEMPERATURES MAY EXCEED 80°C. USE ONLY CABLES WITH SUITABLE OPERATING TEMPERATURE RANGE.

Use only certified adaptors for Zone 1/Div 1. Unused entries are to be fitted with suitably certified stopping plugs.

The three switch terminals are clearly marked "NORMALLY CLOSED", "NORMALLY OPEN" and "COMMON".

The following diagram can be used as a guide for wiring.

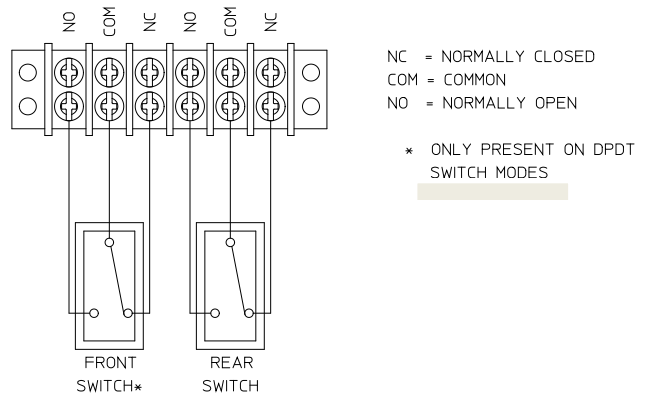
Insert bare wires fully into the terminal block and tighten securely. Keep wiring tails to a minimum and check that wires do not interfere with the operating mechanism. Use the earthing / grounding points provided.



BEFORE CLOSING THE LID:

- ENSURE WIRE IS CLEAR OF ALL MOVING PARTS.
- ENSURE THAT WIRES DO NOT TOUCH THE LID AS IT IS CLOSED.

Close the lid, being careful not to trap any wires in doing so. Securely tighten the M3 lid locking screw set provided using a 1.5mm hex key.



OPERATION

Adjustments

Pressure and Temperature Switches are supplied calibrated at the midpoint of their range and to a falling pressure or temperature unless otherwise specified.

To re-calibrate:

1. Isolate the instrument from the process and power.
2. Slacken the set point lock screw.
3. Using a suitable spanner, rotate the range adjuster clockwise to increase the set point and counter-clockwise to decrease the set point.
4. Tighten the set point lock screw.
5. Close the instrument lid and tighten lid lock screw

OPERATION

(Continued)

Note: For accurate setting of Pressure and Differential Pressure models, a suitable pressure gauge must be used in conjunction with the above procedure. Do not attempt to set the switch outside the scale limits. For Temperature models a suitable calibrated temperature source should be used.

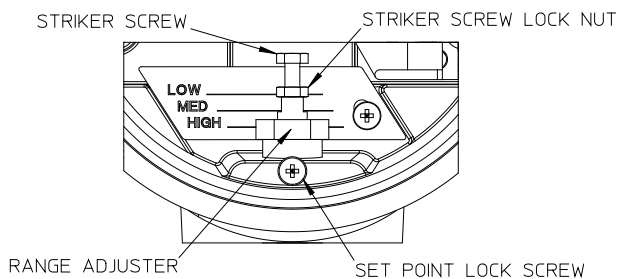
Though the unit may be set anywhere within its range, for optimum performance, it is good practice to have a set point value between 25% and 75% of span.

The striker screw and lock nut are factory set and should not be adjusted. Should these parts be accidentally loosened, please contact Delta for assistance.

MAINTENANCE

Inspections should be carried out at quarterly to yearly intervals depending upon operating conditions. Isolate the unit from process and power and remove the lid. Check all terminals for tightness. Check that cable tails are not fouled or chafed. Check for internal condensation. Check that the gasket is seated properly in the lid recess and is not worn. Keep the enclosure and lid clear of dust build up.

It is recommended that instruments used to provide



an alarm are operated periodically to ensure they are functioning correctly.

If further maintenance is required seek advice from Delta Mobrey before attempting repair or replacement of parts.

Should the diaphragm fail the process will vent to atmosphere via a control orifice without pressuring the switch enclosure. Periodically ensure the vent area does not become blocked and vent plug has not degraded. Ensure that the vent area is not obstructed.

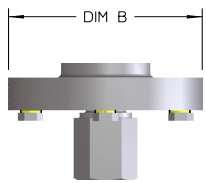
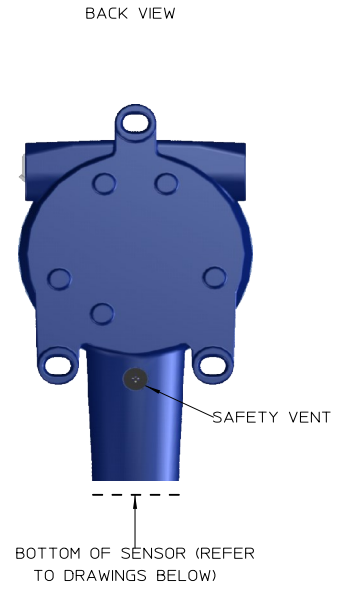
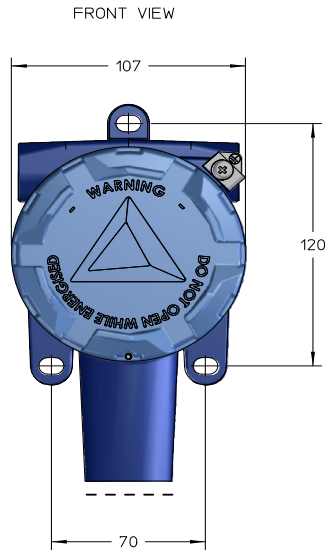
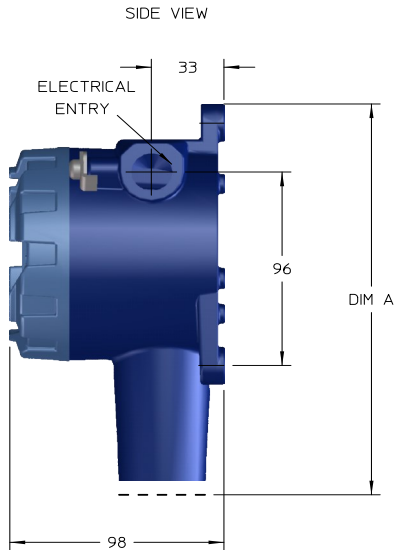
Replacement Parts

Use only factory authorised parts and the fitting instructions that are supplied.

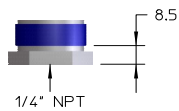
Warranty

See Standard Conditions of Sale.

DIMENSIONS

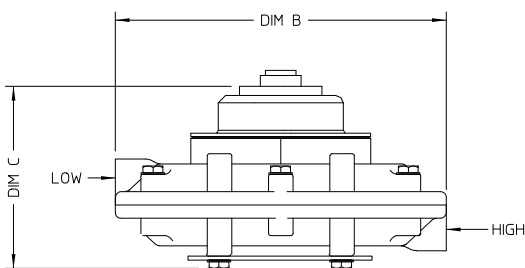
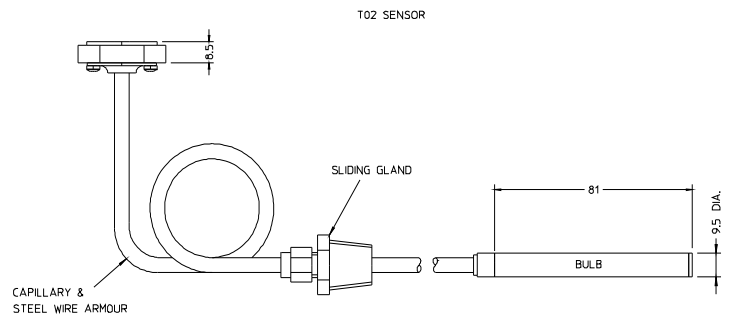
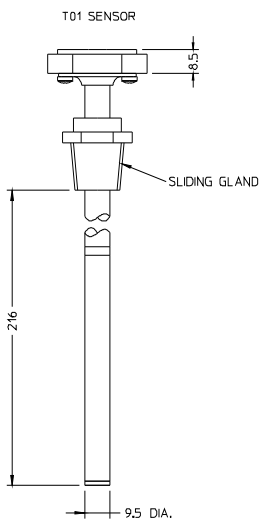


P01 SENSOR

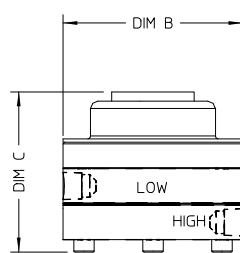


P02 & P03 SENSOR

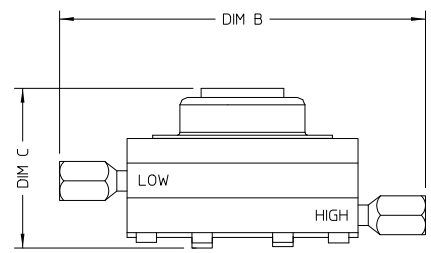
Model	Range	DIM A	DIM B	DIM C
P01	CC, CD, CE	215	88	-
	A0, G3	215	63	-
P02 & P03	ALL	195	-	-
D01	BC	258	162	89
D02	BD - CE	246	114	77
	DC - EA	246	88	77
D03	0D - 0E	271	192	102
	DC - EA	271	166	102
Model	Probe Code	DIM A		
T01 & T02	ALL	195 + CAPILLARY/BULB LENGTH		



D01 SENSOR
(RANGE BC)
Pmax = 1 Bar



D02 SENSOR
(RANGES BD - EA)
Pmax = 110 Bar



D03 SENSOR
(RANGE BD - EA)
Pmax = 250 Bar