

Technical Datasheet



Boiler Water Level Controls

Sequencing blowdown valves

Key Features

- One valve to provide separate blowdown of:
 - Control Chamber
 - Steam Connection
 - Water Connection
- Blowdown by predetermined sequence
- Back seating ensures packing is not subjected to continuous pressure
- Stainless steel trim
- Available with Metric or Imperial flanged connections as standard



Series Overview

A purpose built flanged angle pattern isolating and sequencing valve with ½" BSPT screwed drain connection and back seating features, all valve trims are in stainless steel.

The Delta Mobrey sequencing valve is designed to function as a combined water isolating valve and a sequencing blowdown valve to provide positive purging of the water connection, float chamber and steam connection of a boiler control.

Blowdown of float chamber and connections is effected separately and in a predetermined sequence by the operation of the single specially designed hand-wheel.

The operation of the valve helps to ensure the water port does not become blocked by sediment, mud or debris. It also provides a positive test of the boiler water level control, ensuring that any associated equipment, such as the feedwater pump or valve, and any alarms, cutouts or lockouts operate as expected.

Other products

Other products we can offer :

Chamber mounted boiler water level controls

Direct mounted boiler water level controls

Boiler feed water modulation level controls and valves

Product applications

- Steam boiler external level control chamber isolation and purge

How can we help you?

Delta Mobrey offers fast, efficient and knowledgeable support when and where you need it. Please visit our website at www.delta-mobrey.com to find your local support centre or call us on: **+44 (0)1252 729140**

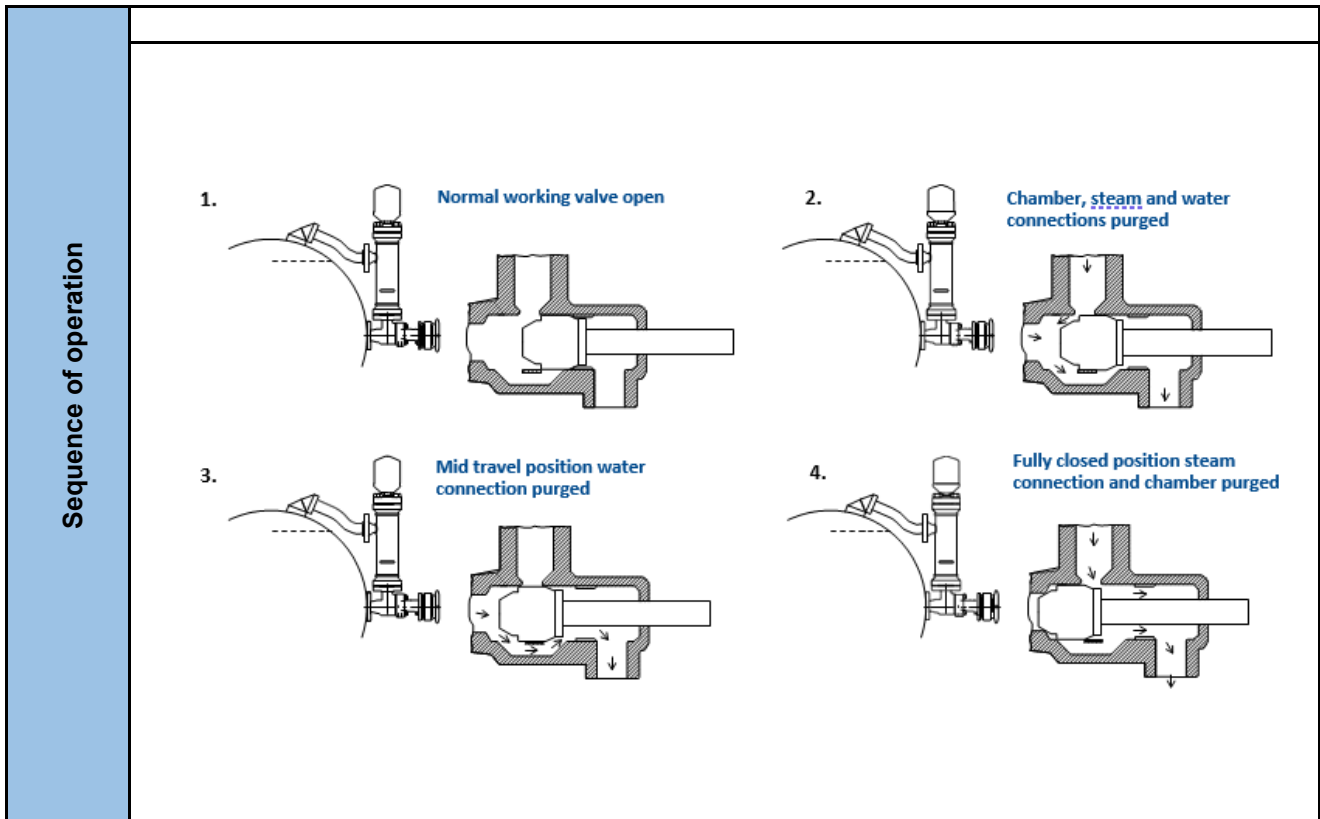
How to order

The instrument can be selected from the table below, which details the specification of each model. For assistance in selecting the model that best suits your needs, please contact your local sales office.

Part number	Flange connections to EN1092 (except where noted)	Valve body and stuffing box material	Maximum working pressure (bar)
80938	DN25 PN16	Cast iron	13 ⁽¹⁾
80947	DN25 PN25	Gunmetal	21
80951	DN25 PN40	Cast steel	32
81390	BS10 Table 'H'	Gunmetal	21

(1) The maximum working pressure is 10.5 bar for Lloyds applications

Technical Specifications



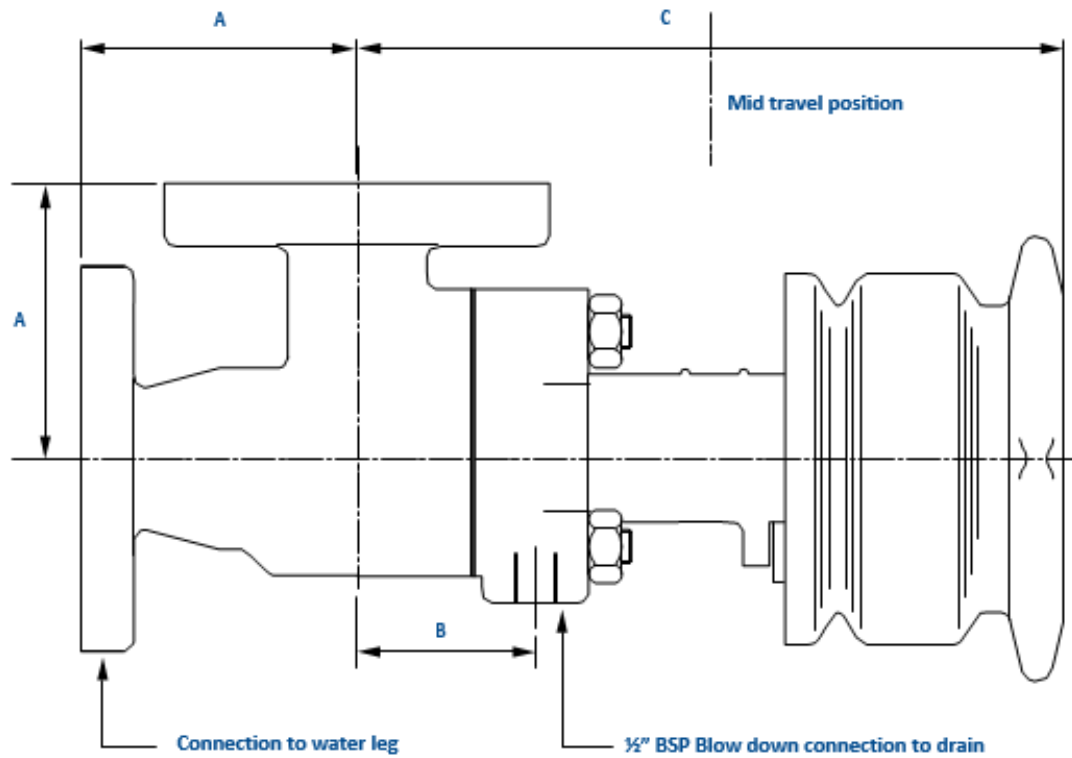
Important

The blowdown connection should be piped directly to an independent covered drain, or tun dish with removable lid, capable of accepting the full discharge without danger of blow-back. The bore of blowdown pipe should not be less than 12 mm and the length should be kept as short as possible. Sight glasses must not be fitted in the blowdown line.

Blowdown procedure card

Delta Mobrey produce a useful blowdown procedure card, reference number BP109, which is available on request.

GENERAL DIMENSIONS



Part number	Dimensions (mm)		
	A	B	C
80938	83	54	219
80947	83	54	219
80951	83	54	219
81390	83	54	210

Approvals

EUROPEAN DIRECTIVES

Pressure Equipment Directive (PED) 2014/68/EU:

The sequencing blowdown valves are categorised as Sound Engineering Practice (SEP) under Article 4.3.

In the interest of development and improvement Delta Mobrey Ltd, reserves the right to amend, without notice, details contained in this publication. No legal liability will be accepted by Delta Mobrey Ltd for any errors, omissions or amendments.

Delta Mobrey Limited

Hudson House, Albany Park Camberley Surrey, GU16 7PL, UK.

T+44 (0)1252 729140 F+44 (0)1252 729168 E sales@delta-mobrey.com W www.delta-mobrey.com



FM00720