

Technical Datasheet



Diaphragm Pressure Gauges SG Range

Key Features

- Nominal Diameter of 100 & 150 mm.
- Degree of Protection IP55/IP67.
- Stainless steel enclosure as standard.
- Blowout Protection.
- Ranges available see page 2.



Technical Specification

Enclosure Casing

- Enclosure case and ring in AISI 304 stainless steel with bayonet bezel.
- Optional: AISI 316 on request with bayonet bezel.

Enclosure Options

- IP55 Protection for dry execution.
- IP67 Protection for filled execution.

Window

- Standard window in glass.
- Optional laminated safety glass.

Process Connection

- G 1/2 B (1/2 GAS or BSP) or 1/2-14 NPT external (1/2 NPT) thread.
- Flanged connection as per UNI/DIN and ASME standards:
 - Flange with through holes
 - Flange with threaded blind or through holes

Pressure Connection Material

- AISI 316L stainless steel as standard.
- AISI 316L stainless steel with PTFE coating.
- Other materials available on request.

Diaphragm Material:

- Stainless steel AISI 316 Ti.
- Other materials available on request.

Product applications

The SG range is suitable for a wide range of applications in:

- Oil & Gas
- Chemical
- Petrochemical
- Refining
- Power
- Marine

The choice of models available ensures suitability for use in:

- Corrosive atmospheres
- Resistant to chemical attack

How can we help you?

Delta Mobrey offers fast, efficient and knowledgeable support when and where you need it. Please visit our web site at www.delta-mobrey.com to find your local support centre or call us on:

+44 (0) 1252 729140

Diaphragm Pressure Gauge
Models: SG range

Technical Specification

Movement:

- Stainless steel.

Pressure Ranges

- Pressure gauges: 0 to 16; 0 to 25; 0 to 40; 0 to 60; 0 to 100; 0 to 160; 0 to 250; 0 to 400; (unit of pressure mbar); 0 to 0,6; 0 to 1; 0 to 1,6; 0 to 2,5; 0 to 4; 0 to 6; 0 to 10; 0 to 16; 0 to 25 (unit of pressure bar).
- Vacuum gauges: -16 to 0; -25 to 0; -40 to 0; -60 to 0; -100 to 0; -160 to 0; -250 to 0; -400 to 0; (unit of vacuum mbar); -1 to 0 (unit of vacuum bar).
- Compound gauges: -1 to 0,6; -1 to 1,5; -1 to 3; -1 to 5; -1 to 9; -1 to 15; -1 to 24 (unit of pressure bar) – on request (unit of pressure mbar).
- Other graduations not normalized for single or double range (on request).

Over-Pressure

- 115% of full scale deflection.
- Optional: diaphragm stops allow the diaphragm to withstand overpressure up to 10 times the full scale value for ranges within 16 and 400 mbar.
up to 5 times the full scale value for ranges over 400 mbar.

Dials

- White Aluminium with black graduation.

Accuracy

- 1.6 as per EN 837-3.

Operating Temperature

- -20 to +100°C standard execution.
- -20 to +150°C execution with Viton gaskets (except compound pressure gauges).
- Optional: Special gasket for higher temperatures (on request).

Special materials

- Diaphragm coatings: P.T.F.E, Monel 400, Hastelloy C276, Titanium, Tantalum, other exotic material.

Connection materials or coatings

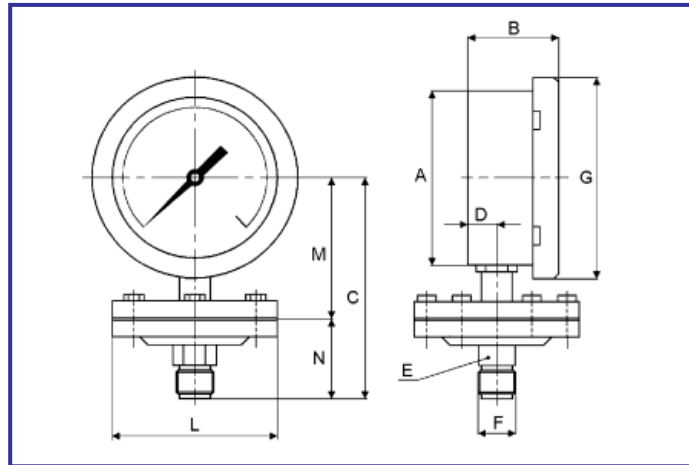
- Special material pressure connection requires a diaphragm with the same coating material: P.T.F.E, Monel 400, Hastelloy C276, Titanium, Tantalum, other exotic material.

Electrical contacts available on request.

Safety construction Solid Front Available on request

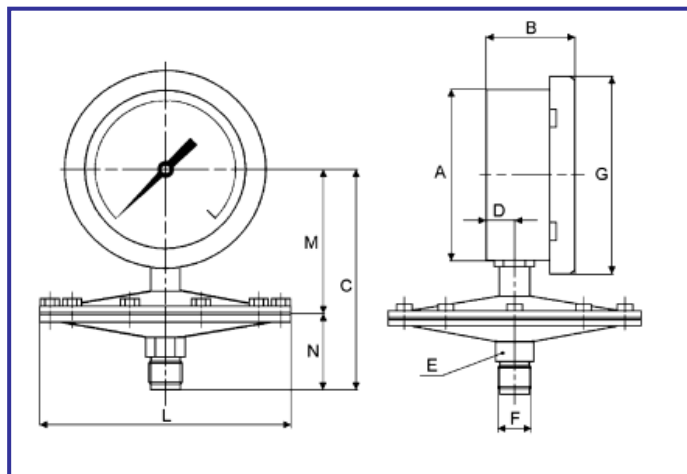
Dimensions

All dimensions mm (inches)



Pressure gauge with ranges between 0.6 and 25 bar

DN	A	B	C	D	E	F	G	H	I	L	M	N	Weight (kg)
100	103	50	132	16.5	22	1/2	118			95	88	44	1.40
150	150	50	156	16.5	22	1/2	166			95	112	44	1.70



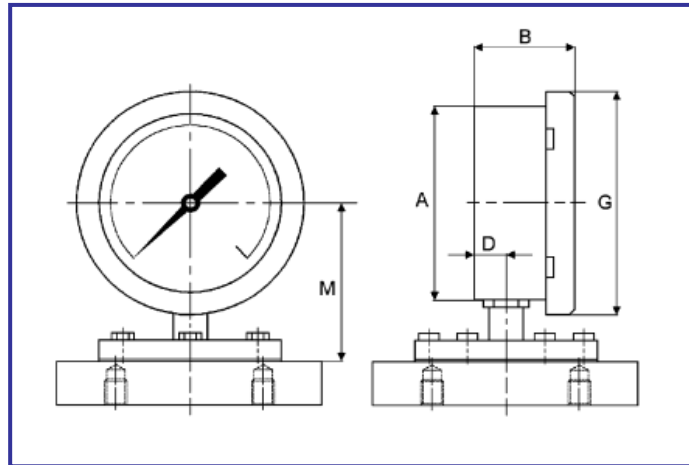
Pressure gauge with ranges between 16 and 400 mbar

DN	A	B	C	D	E	F	G	H	I	L	M	N	Weight (kg)
100	103	50	142	16.5	22	1/2	118			150	93	49	1.55
150	150	50	166	16.5	22	1/2	166			150	117	9	1.85

Diaphragm Pressure Gauge
Models: SG range

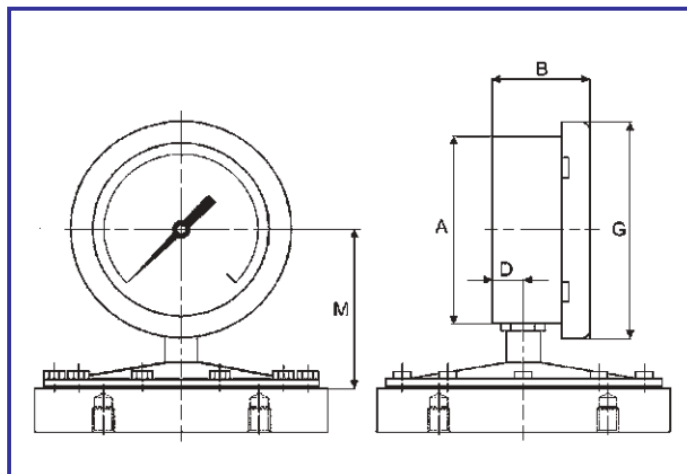
Dimensions

All dimensions mm (inches)



Pressure gauge with flanged connection, with fixing blind or through holes (Ranges between 0.6 & 25 bar)

DN	A	B	C	D	E	F	G	H	I	L	M	N	Weight (kg)
100	103	50		16.5			118				88		
150	150	50		16.5			166				112		



Pressure gauge with flanged connection, with fixing blind or through holes (Ranges between 16 & 400 mbar)

DN	A	B	C	D	E	F	G	H	I	L	M	N	Weight (kg)
100	103	50		16.5			118				93		
150	150	50		16.5			166				117		

Diaphragm Pressure Gauge
Models: SG range

In the interest of development and improvement Delta Mobrey Ltd, reserves the right to amend, without notice, details contained in this publication. No legal liability will be accepted by Delta Mobrey Ltd for any errors, omissions or amendments.

Delta Mobrey Limited
Riverside Business Park, Dogflud Way, Farnham, Surrey GU9 7SS, UK.
T+44 (0)1252 729140 F+44 (0)1252 729168 E sales@delta-mobrey.com W www.delta-mobrey.com



ISO90001
FM00720